



Purchasing Division

## **ADDENDUM NO. 4**

**DATE:** December 17, 2019  
**FROM:** City of Grand Junction Purchasing Division  
**TO:** All Offerors  
**RE:** Suplizio Stadium Structural Repairs IFB-4729-20-DH

Offerors responding to the above referenced solicitation are hereby instructed that the requirements have been clarified, modified, superseded and supplemented as to this date as hereinafter described.

Please make note of the following clarifications:

1. Pertaining to question 48 of Addendum 2, please see the attached updated drawing S3 from Lindauer-Dunn.

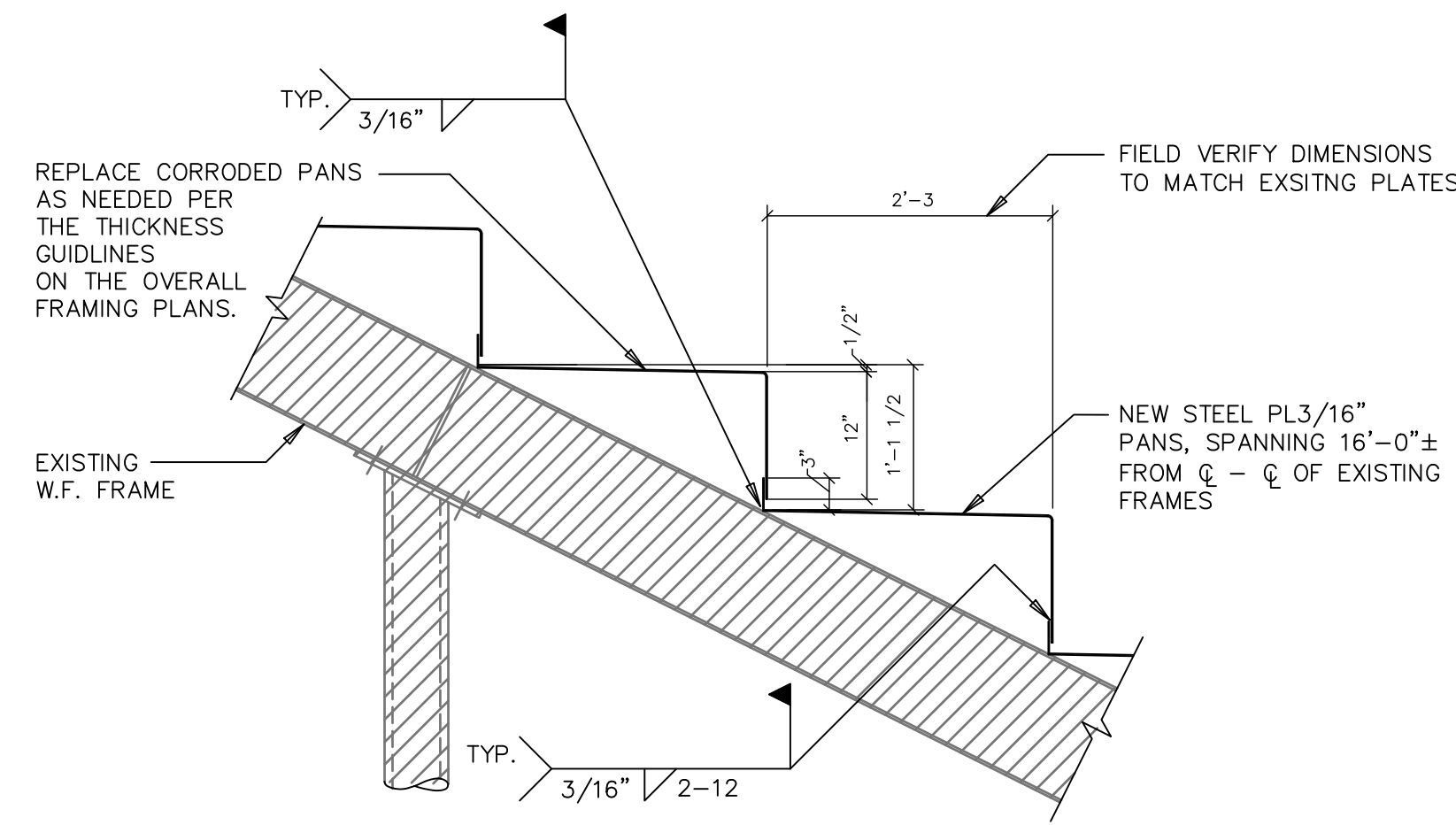
The original solicitation for the project noted above is amended as noted.

All other conditions of subject remain the same.

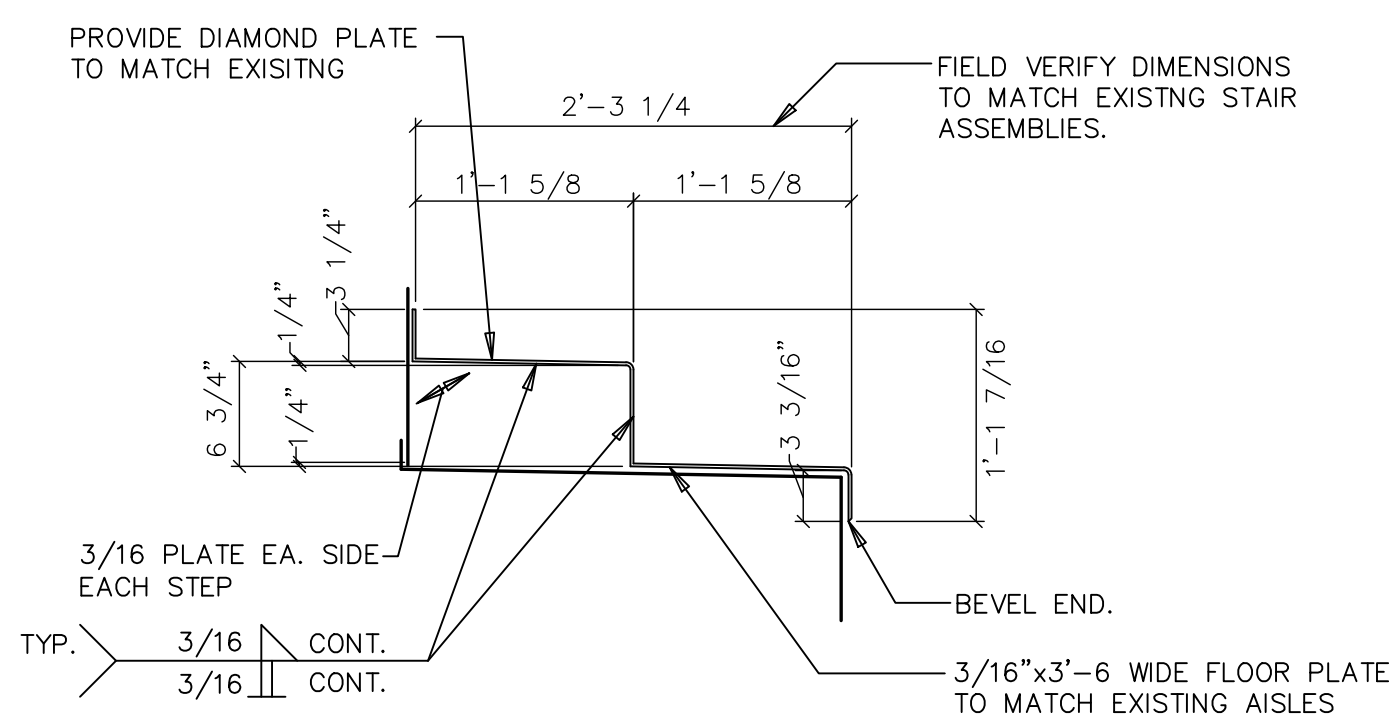
Respectfully,

A handwritten signature in black ink, appearing to read "Duane Hoff Jr.", written in a cursive style.

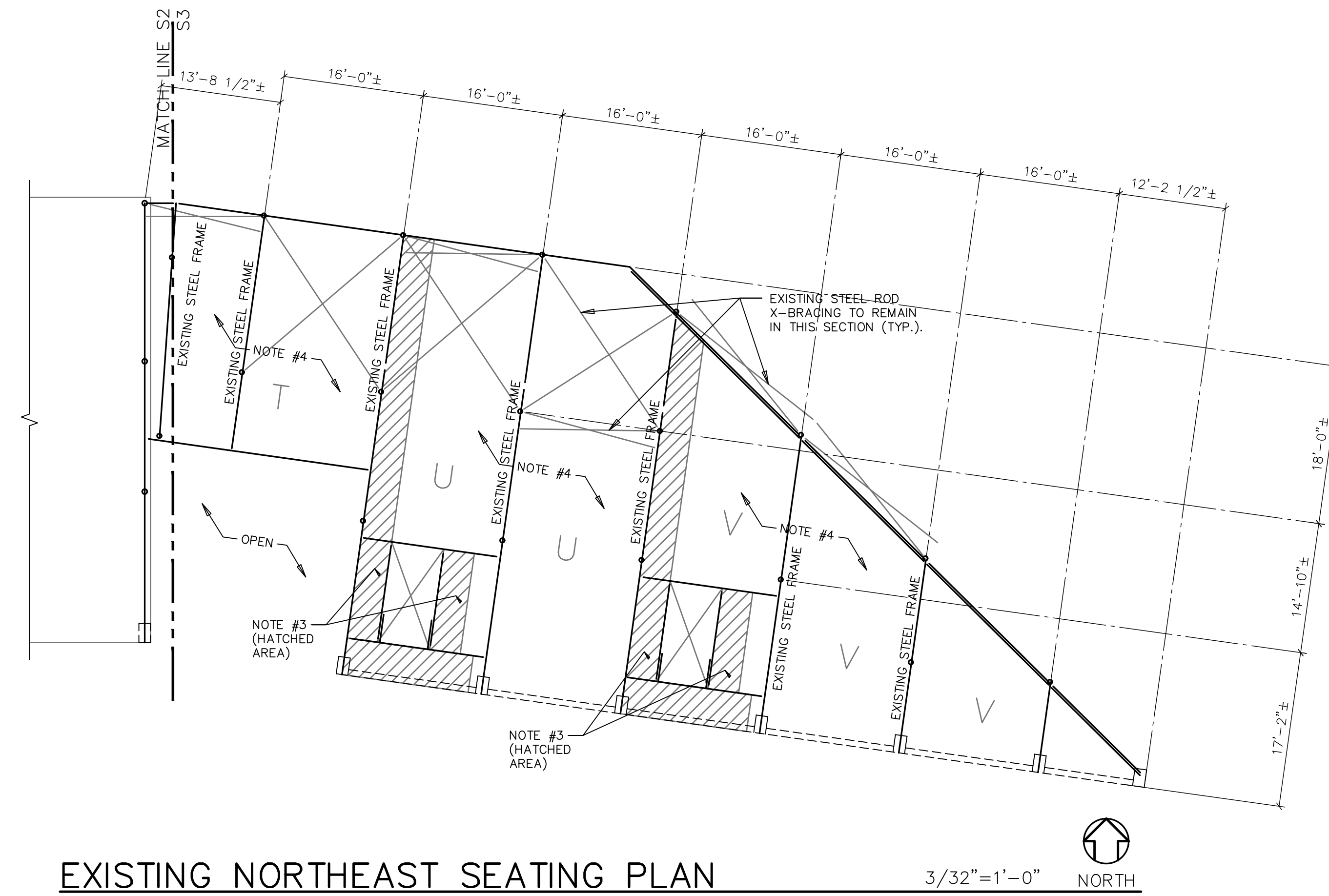
Duane Hoff Jr., Senior Buyer  
City of Grand Junction, Colorado



DETAIL A  
3/4" = 1'-0"

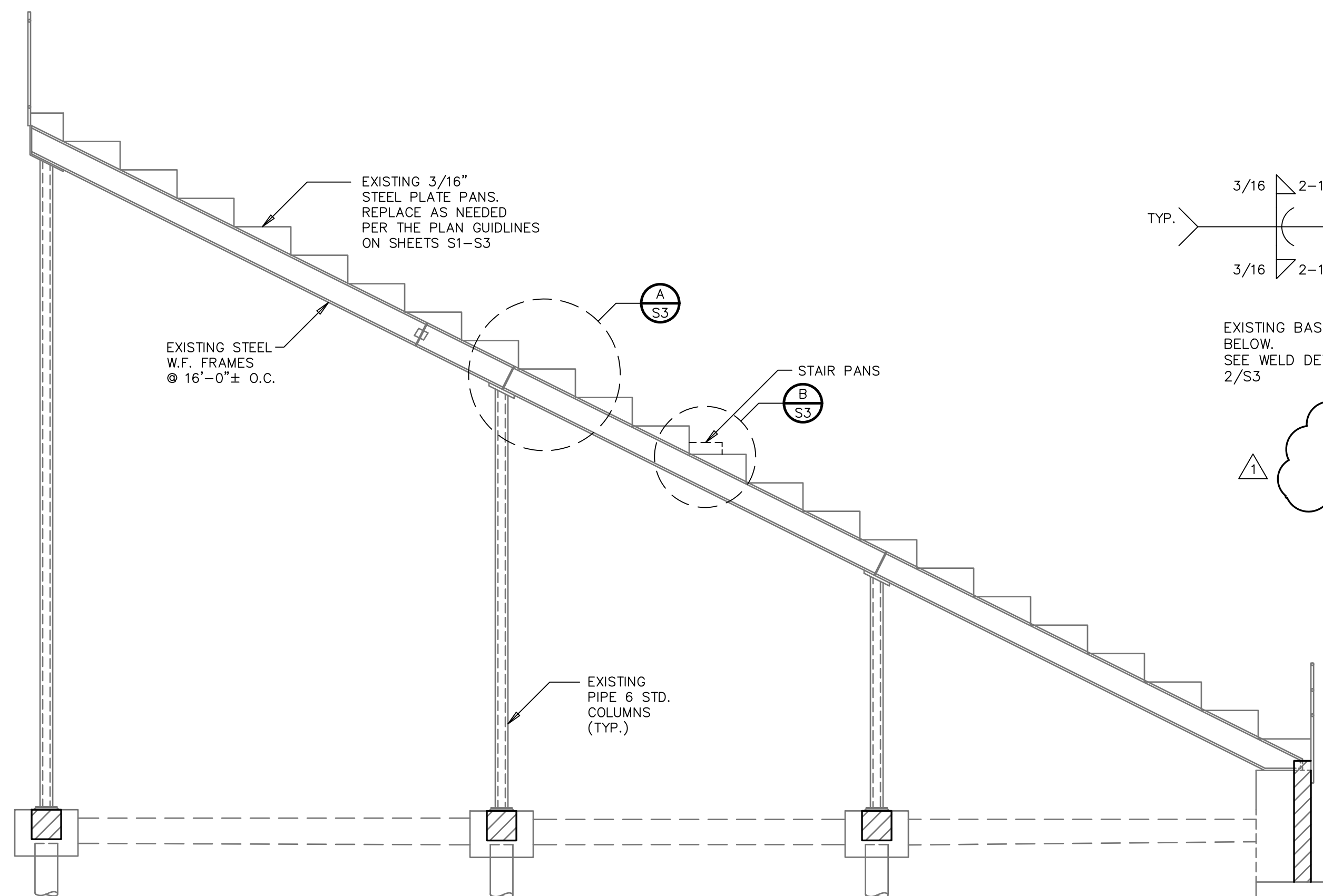


DETAIL B  
1" = 1'-0"

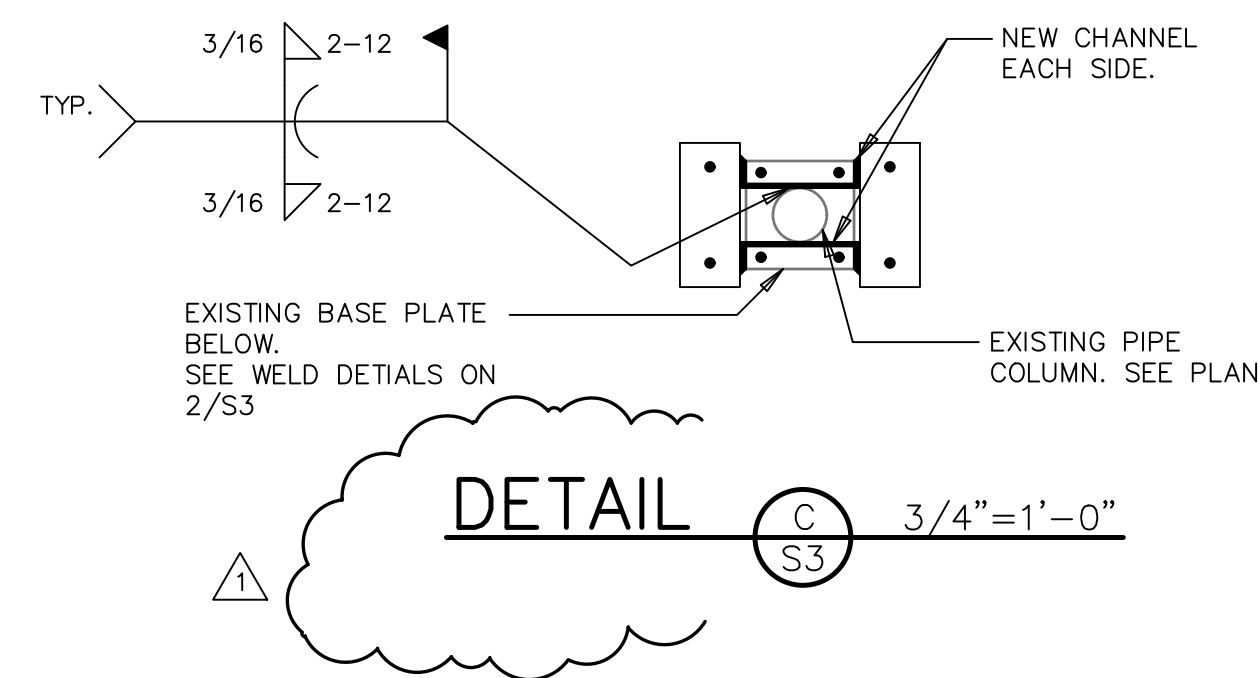


EXISTING NORTHEAST SEATING PLAN  
3/32" = 1'-0" NORTH

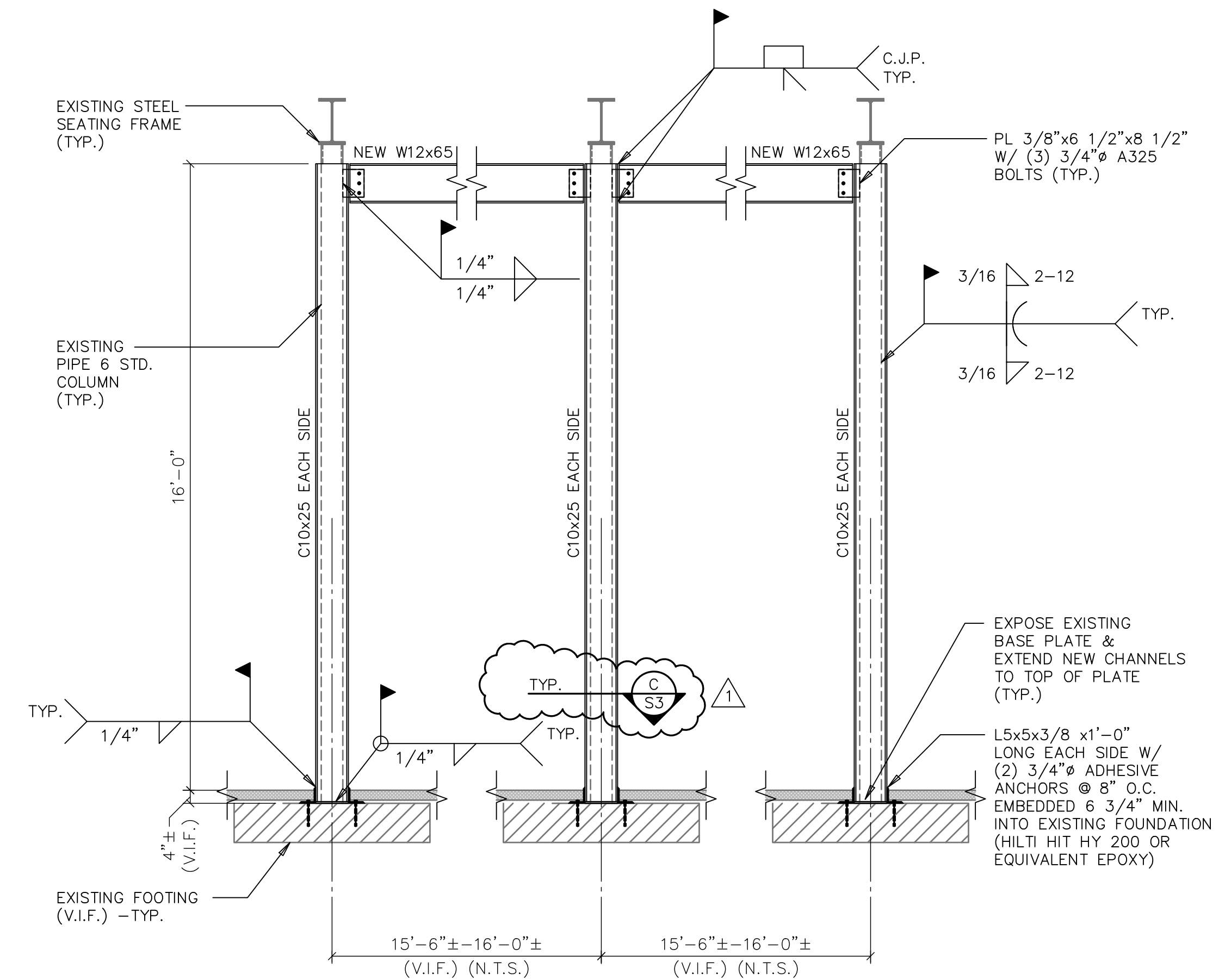
- DIMENSIONS AND ORIENTATION OF SEATING STRUCTURE ARE APPROXIMATE. VERIFY DIMENSIONS AND CONDITIONS IN FIELD PRIOR TO FABRICATION AND CONSTRUCTION.
- EXISTING SEATING PANS CONSIST OF BENT 3/16" PLATE STEEL, PAINTED, SPANNING BETWEEN SLOPED STEEL FRAMES. STAIRS CONSIST OF STEEL DIAMOND PLATE TREADS, RISERS, AND SIDE CLOSURES INSTALLED ON TOP OF THE SEATING PANS.
- REPLACE STAIR TREAD AND RISER PLATES WITH NEW MATERIAL, WHERE CORROSION OF THE EXISTING STEEL RISERS AND TREADS HAS REDUCED THE PLATE THICKNESS TO LESS THAN 1/8" (ALTERNATIVE #1).
- REPLACE SEATING PANS EXHIBITING CORROSION WHERE THE PLATE THICKNESS HAS BEEN REDUCED TO LESS THAN 1/8" THICKNESS. LOCATIONS OF REDUCED THICKNESS HAVE BEEN SURVEYED BY THUNDER MOUNTAIN TESTING, AND ARE LISTED IN REPORTS DATED FEBRUARY 19 AND FEBRUARY 20, 2019. THESE REPORTS SHOULD BE USED TO IDENTIFY SEATING PANS THAT NEED TO BE REPLACED (ALTERNATIVE #2 - SECTIONS P-S).
- NEW STEEL MATERIAL SHALL BE PRIMED WITH A ZINC RICH OR OTHERWISE RUST INHIBITIVE PRIMER SUCH AS TNEPEC SERIES V10, AND PAINTED WITH A CORROSION PROTECTING COATING SUCH AS TNEPEC SERIES 30.



SECTION 1  
1/4" = 1'-0"



DETAIL C  
3/4" = 1'-0"



SECTION 2  
3/8" = 1'-0"

REVISIONS:

1	12/17/19
---	----------

JOB #	19.033
DRAWN BY:	KDN, JDG
CHECKED BY:	JAD
DATE:	11/21/19
SHEET #	